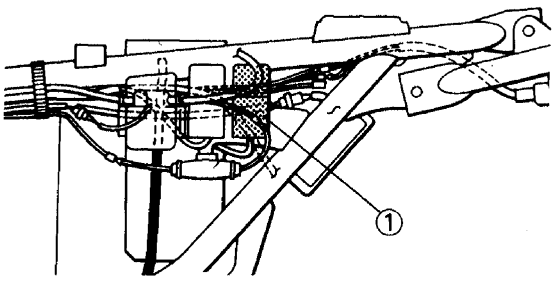




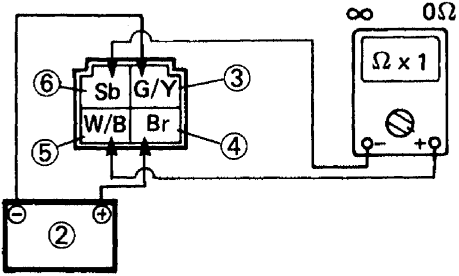
10. Neutral relay

- Disconnect the neutral relay ① coupler (Green/Yellow, Brown, White/Black and Sky blue) from the wireharness.




- Connect the neutral relay coupler (Green/Yellow ③, Brown ④, White/Black ⑤ and Sky blue ⑥) to the Pocket Tester ($\Omega \times 1$) and battery (12V) ②.

Tester (+) Lead → White/Black ⑤ Lead
 Tester (-) Lead → Sky blue ⑥ Lead
 Battery (+) Lead → Brown ④ Lead
 Battery (-) Lead → Green/Yellow ③ Lead



- Check the neutral relay for continuity.

	Good Condition		Bad Condition	
	○	○	×	×
Battery Connected	○	○	×	×
Battery Disconnected	×	○	×	○

○: Continuity ×: Discontinuity

- Connect the neutral relay coupler.

INCORRECT

Replace neutral relay.

