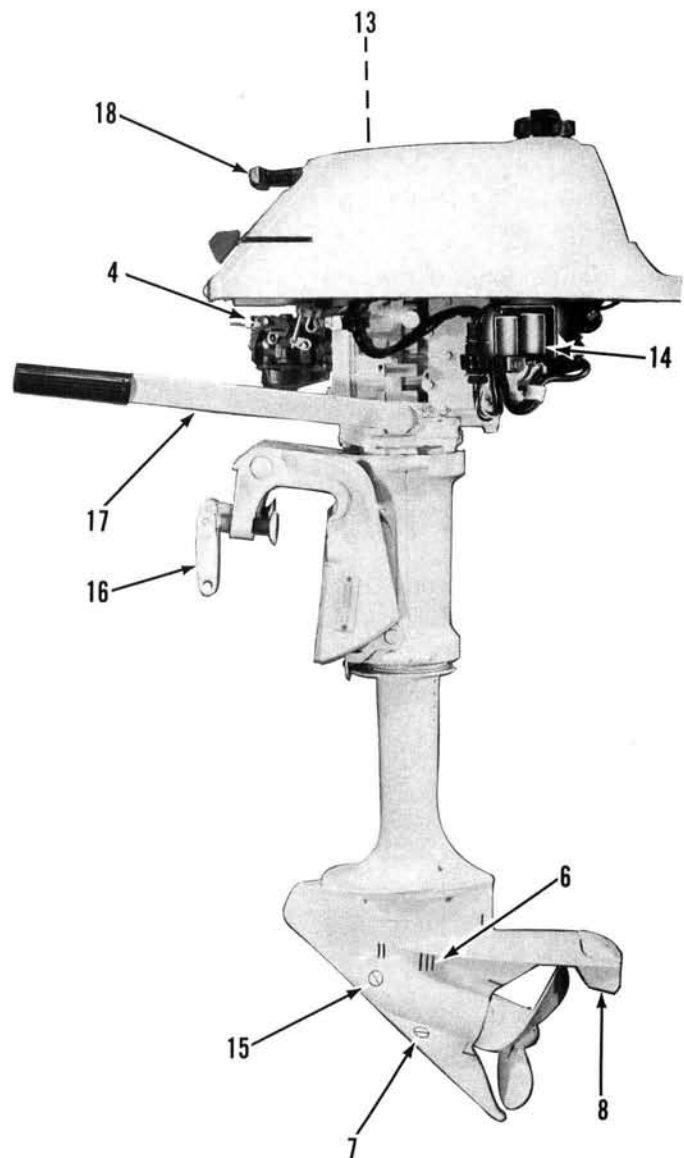


93001



*Weedless Gearcase - Port Side*

1. Speed control
2. Power pack
3. Low speed needle
4. Choke lever
5. Stern bracket
6. Water intake
7. Oil drain and fill plug
8. Exhaust outlet
9. Tilt adjustment rod
10. No. 2 ignition coil
11. Fuel filter
12. Flywheel
13. Rewind starter
14. No. 1 ignition coil
15. Oil level plug
16. Clamp screws
17. Steering handle
18. Starter handle

93332

*Figure 1-1. Standard Gearcase - Starboard Side*