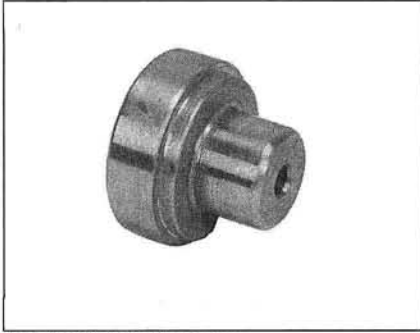
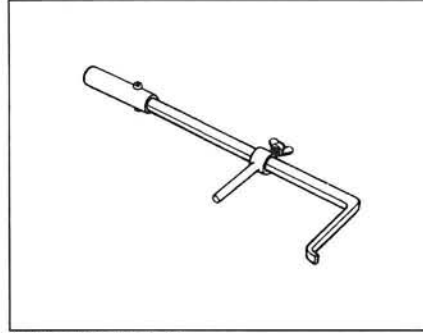


# SERVICE SPECIFICATIONS AND SPECIAL TOOLS

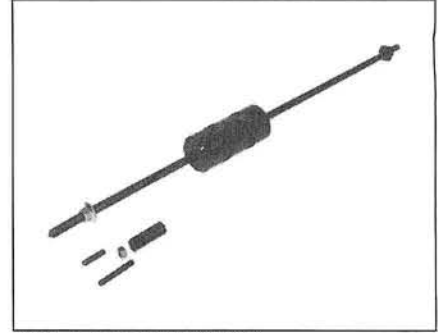
## SPECIAL TOOLS



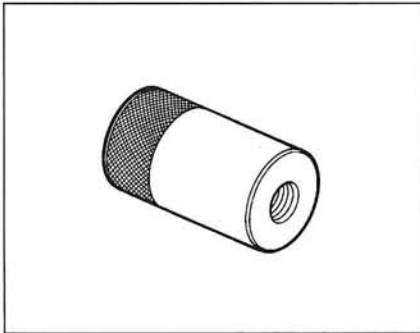
Bearing installer/remover  
P/N 342685



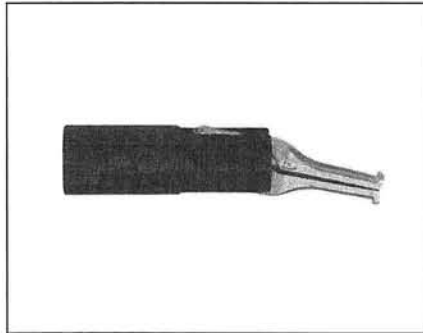
Oil Seal Remover



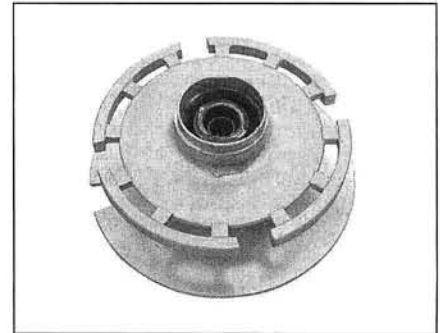
Slide hammer P/N 391008  
Adapter P/N 340624



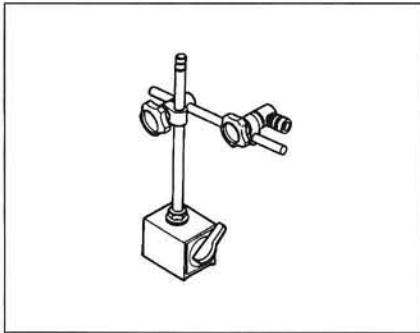
Propeller shaft remover  
P/N 5034762



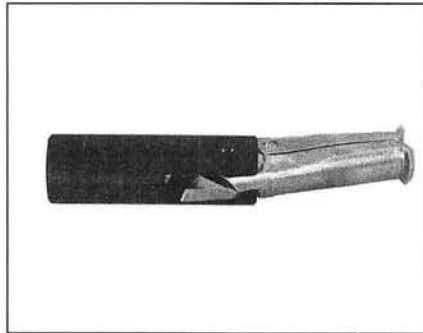
Small puller jaws P/N 432131  
(replacement jaws P/N 437952)



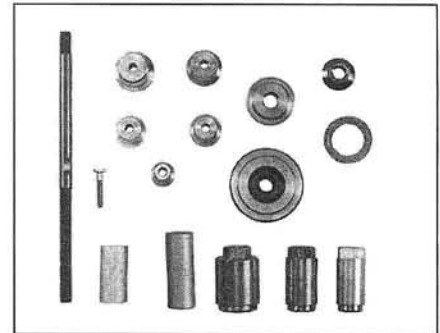
Test wheel P/N 5032468  
Bushing P/N 5034620  
Stopper P/N 5034621



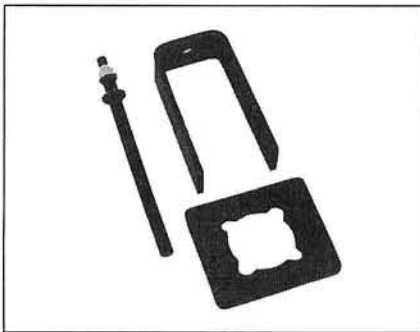
Magnetic Stand



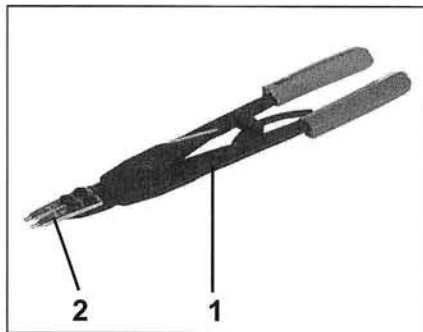
Large puller jaws P/N 432129  
(replacement jaws P/N 437954)



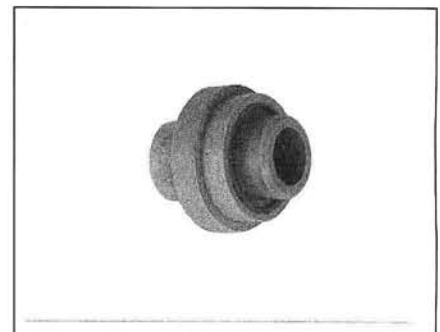
Pinion bearing remover and installer kit  
P/N 391257 (Use with centering guide  
from kit P/N 5000009)



Puller Bridge  
P/N 432127



1. Retaining ring pliers P/N 331045  
2. Replacement tip set P/N 395967



Seal installer  
P/N 326545